

15 L Food Processor Bowl Cutter

ITEM: 46215 46216
MODEL: FP-ES-0015 FP-ES-0030-N

Efficient and easy to use

This high-volume food processor can chop, slice, shred and mix various ingredients. It's ideal for commercial kitchens, catering businesses and other food service establishments.

FEATURES:

- 7" digital touch screen displaying knife speed, temperature and time
- Variable speed control and 4 speed preselection buttons
- Emergency stop button
- Motor with electronic drive and overload protection
- Removable 3-knife head, optionally with 6 knives
- All stainless steel construction, solid SS bowl and lid
- Adjustable, on-slip and vibration absorbing machine feet
- Transparent noise protection cover
- Removable friction lid/bowl band for easy cleaning, with self-adjusting springs

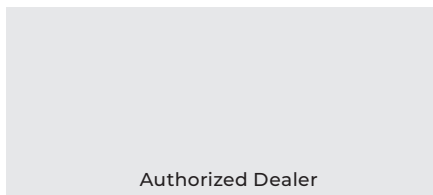


1-833-487-3686

www.trentoequipment.com

sales@trentoequipment.com

Follow us on social media
@trentoequipment



For 46215

NEMA
6 - 15P
250VAC / 15 AMP



For 46216

NEMA
L15 - 30P
250VAC / 30 AMP





Removable friction lid/bowl band



Transparent noise protection cover



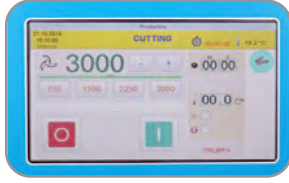
Removable knife head



Optional 6-knife head



Emergency stop button

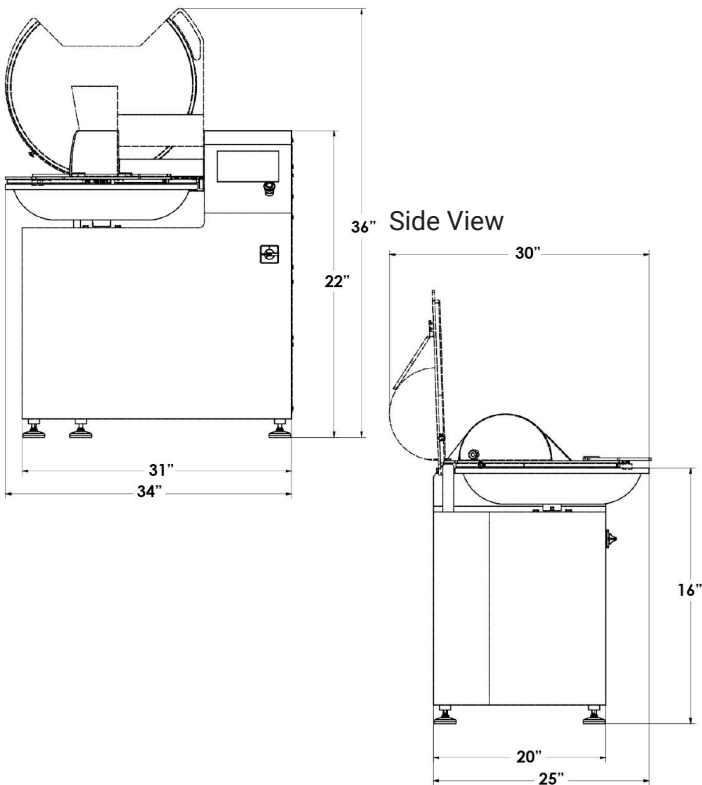


7" Digital touch screen

Technical Specification		
Item	46215	46216
Model	FP-ES-0015	FP-ES-0030-N
Bowl Volume	15.9 Qt. (15 L)	31.7 Qt. (30 L)
Bowl Capacity	Soft Meat: 9 - 26 lb. (4 -12 kg.) Tough Meat: 9 - 18 lb. (4 - 8 kg.)	Soft Meat: 11 - 48 lb. (5 - 22 kg.) Tough Meat: 11 - 33 lb. (5 - 15 kg.)
Knife Speed	750 - 3000 RPM	
Linear Knife Speed	14 - 45 m/s	
Power	2300 W / 3 hp	5600 W / 7.5 hp
Electrical	220V / 60Hz / 1Ph	208V / 60Hz / 3Ph
Amps	12.5 A	13.2 A
Net Weight	364 lb. (165 kg.)	728 lb. (330 kg.)
Net Dimensions Open Lid (WDH)	30" x 34" x 36" (750 x 870 x 920 mm)	37" x 41" x 62" (930 x 1040 x 1560 mm)
Plug Type	NEMA 6 - 15P	NEMA L15 - 30P

TECHNICAL DRAWINGS

46215 Front View



46216 Front View

